



# ALFRA WIRING DUCT

## CUTTING DEVICE

ERGONOMIC HAND LEVER  
FOR OPTIMUM TRANSMISSION OF FORCE

LENGTH STOP  
(METRIC/INCH MARKINGS – LASER-ENGRAVED)

INCREASED OPENING HEIGHT  
(ALSO SUITABLE FOR DUCTS WITH  
SPECIAL BRIDGE)

HINGED, SPRING-LOADED BLADE  
GUARD

FULL-SURFACE SUPPORT  
(DUCT DOES NOT SAG)



# ALFRA WIRING DUCT CUTTING DEVICE - VKS 125



Made in Germany by ALFRA

**Cuts wiring ducts and covers up to 125 mm width exactly and effortlessly in seconds.**

Both the tool and the length stop have fastening tabs to make fitting to the workbench easier.

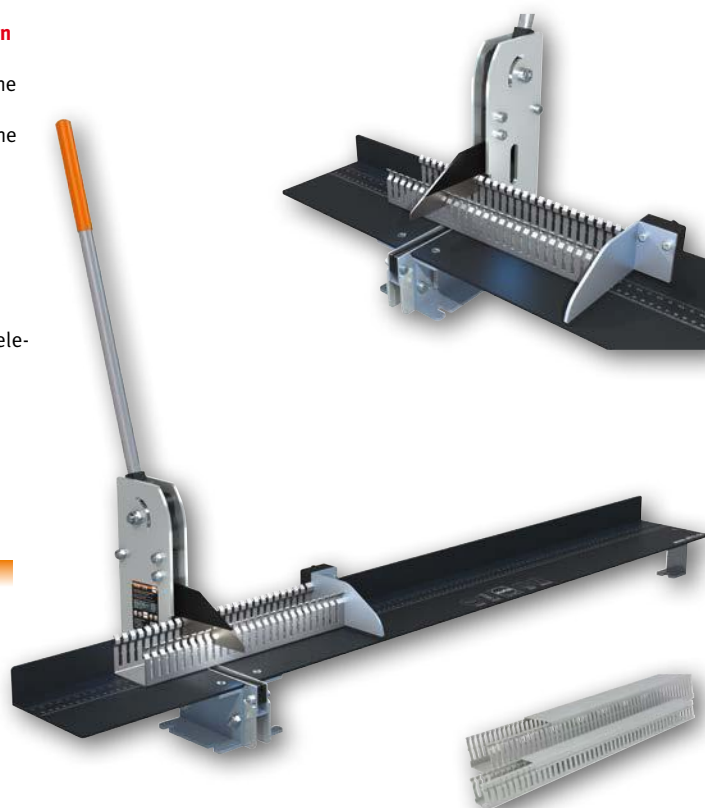
The VKS 125 is equipped with a spring-loaded blade guard which covers the blade when it is not in use.

- Hand lever operation
- Burr-free cutting without waste
- Accurate 90° cuts
- Full-surface support with laser engraving
- Little force required for cutting
- Anodised, laser-engraved length stop 1,000 mm long with rail-support element for accurate angled cutting, with millimetre and inch scales
- Maintenance-free
- Easy to fit to the workbench

**"... no more plastic chips or deburring ever again!"**

ALFRA VKS 125  
Blade for VKS 125

**Prod.-No.**  
031920  
03192



Prod.-No. 031920

## Amortisation calculation

### Assumption:

At least 10 cuts of profile rails or wiring ducts per day

#### 1. Conventional method:

a1)	Number of cuts per day	=	10
b1)	Working time per cut (includes providing the auxiliary tools, measuring up, marking, cutting to length, deburring etc.)	=	2.00 min
c1)	Labour costs per minute	=	€ 0.70

#### Result:

The cost incurred daily is € 14.00 (10 x 2.00 x 0.70)

#### 2. Method using DIN rails cutting device or wiring duct cutting device

a2)	Number of cuts per day	=	10
b2)	Working time per cut	=	0.3 min
c2)	Labour costs per minute	=	€ 0.70

#### Result:

The cost incurred daily is € 2.10 (10 x 0.3 x 0.70)

**Difference between 1 and 2 = € 11.90 per working day**

Cutting device Prod.-No. 03001 VK = € 1,430.00 : 11.90 = **120 days**

Cutting device Prod.-No. 03004 VK = € 1,070.00 : 11.90 = **90 days**

Cutting device Prod.-No. 03199 VK = € 662.00 : 11.90 = **56 days**

Cutting device Prod.-No. 031920 VK = € 849.00 : 11.90 = **71 days**

