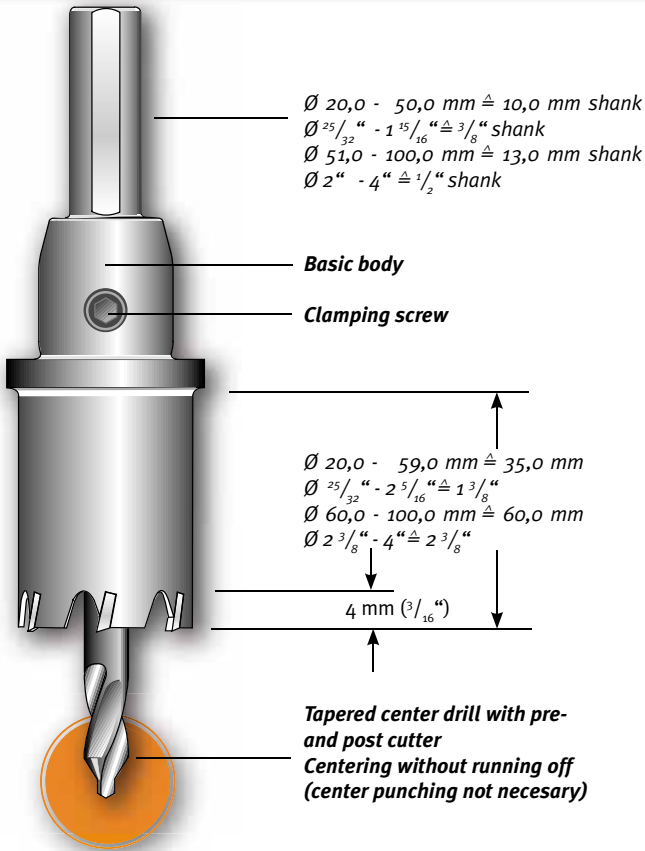


# A



## ALFRA TCT-HOLE SAWS – Long Type

Made in Germany by ALFRA



stainless steel



### Features:

- Especially developed for the use on pipes, vaulted materials, for unalloyed and alloyed steels, nonferrous metals, plastics as well as glass fibre reinforced plastic.
- For material thickness up to 4 mm ( $\frac{3}{16}''$ ), **2 mm ( $\frac{1}{16}''$ ) stainless steel**
- For the use on hand drilling machines or pillar drilling machines

### Tips:

- Start drilling operation with light pressure, when drilling pipes. Avoid pendulum motions.
- **Keep in mind: Always wear safety goggles.**



Special tool for insulant



Special tool for Macrolon

**Special tools for special applications on request!**



# ALFRA TCT-HOLE SAWS – Long Type

Made in Germany by ALFRA

Ø mm	inch	No. of teeth	Prod.-No. complete	Ø mm	inch	No. of teeth	Prod.-No. complete	Ø mm	inch	No. of teeth	Prod.-No. complete
20		5	0700200	55		12	0700550	90	3 9/16"	20	0700900
21	13/16"	5	0700210	56	2 3/16"	12	0700560	91		20	0700910
22		5	0700220	57	2 1/4"	12	0700570	92	3 1/8"	20	0700920
23	7/8"	5	0700230	58		12	0700580	93		22	0700930
24	15/16"	6	0700240	59	2 5/16"	12	0700590	94	3 11/16"	22	0700940
25		6	0700250	60	2 3/8"	14	0700600	95	3 3/4"	22	0700950
26	1"	6	0700260	61		14	0700610	96		22	0700960
27	1 1/16"	6	0700270	62	2 7/16"	14	0700620	97	3 13/16"	22	0700970
28		6	0700280	63		14	0700630	98	3 7/8"	22	0700980
29	1 1/8"	6	0700290	64	2 1/2"	14	0700640	99		22	0700990
30	1 3/16"	6	0700300	65		14	0700650	100	3 15/16"	22	0701000
31	1 7/16"	8	0700310	66	2 9/16"	14	0700660	Special dimensions on request			070 .../...
32	1 1/4"	8	0700320	67	2 3/8"	16	0700670				
33		8	0700330	68		16	0700680				
34	1 5/16"	8	0700340	69	2 11/16"	16	0700690				
35	1 3/8"	8	0700350	70	2 3/4"	16	0700700				
36		8	0700360	71		16	0700710				
37	1 7/16"	8	0700370	72	2 13/16"	16	0700720				
38		8	0700380	73	2 7/8"	16	0700730				
39	1 1/2"	8	0700390	74		16	0700740				
40	1 9/16"	10	0700400	75	2 15/16"	16	0700750				
41		10	0700410	76	3"	18	0700760				
42	1 5/8"	10	0700420	77		18	0700770				
43	1 11/16"	10	0700430	78	3 1/16"	18	0700780				
44		10	0700440	79	3 1/8"	18	0700790				
45	1 3/4"	10	0700450	80		18	0700800				
46		10	0700460	81	3 3/16"	18	0700810				
47	1 13/16"	10	0700470	82		18	0700820				
48	1 7/8"	10	0700480	83	3 1/4"	18	0700830				
49		10	0700490	84	3 5/16"	20	0700840				
50	1 15/16"	12	0700500	85		20	0700850				
51	2"	12	0700510	86	3 3/8"	20	0700860				
52	2 1/16"	12	0700520	87	3 7/16"	20	0700870				
53		12	0700530	88		20	0700880				
54	2 1/8"	12	0700540	89	3 1/2"	20	0700890				

## HSS -Spare Drill with tapered center tip



6 x 80 mm	0702680
8 x 80 mm	0702880
8 x 100 mm	0702800



MT2 and MT3 arbors suitable as from Ø 31mm

MT-2 (up to Ø 100,0 mm)	0734002
MT-3 (up to Ø 150,0 mm)	0734003

## HIGHLY RECOMMENDED ACCESSORIES – coolant and lubricant!

### ALFRA BIO 2000



Is a fully synthetic cutting oil, developed for high-quality cutting, threading and drilling of metals of any degree of hardness, ferrous metal, steel alloys, chrome nickel steel, V2A and V4A steel, copper, aluminium and their alloys.

**ALFRA BIO 2000** is free of hydrocarbon, sulphur and chlorine.

Aerosol can 405 ml 21010

### ALFRA 3000



Universal metal working oil free of chlorine. High-performance drilling, clearing and cutting oil, based on mineral oil, to be used for material which is medium-difficult up to difficult to cut. Having a big share of efficient admixtures which grant an optimal cutting capacity and a considerable reduction of wear and tear of the tool.

It is in accordance with the standards of work hygiene and safety. We recommend to use **ALFRA 3000** especially for the drilling and threading of high-alloy steel and chrome nickel steel.

Aerosol can 520 ml

21030

