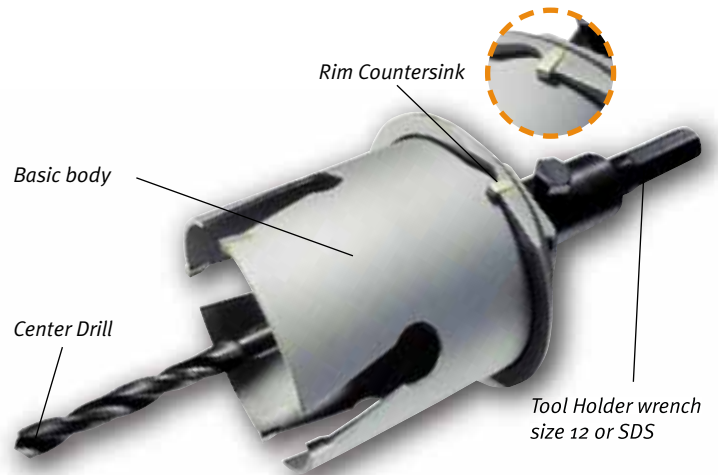
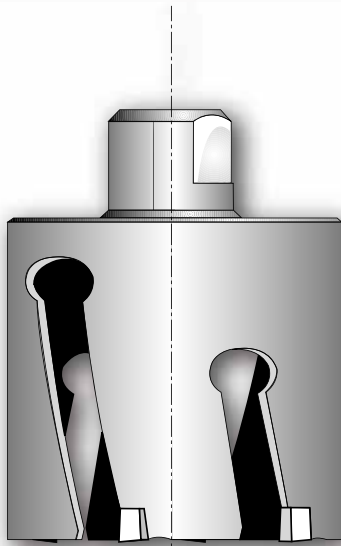


A



ALFRA TCT-HOLE SAWS – FRP type

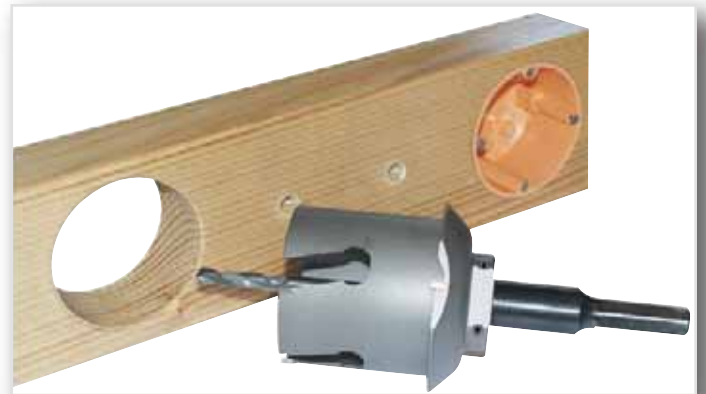
Made in Germany by ALFRA



Art.-Nr. 0740068060 – FRP Hole Saw Ø 68 mm with rim countersink

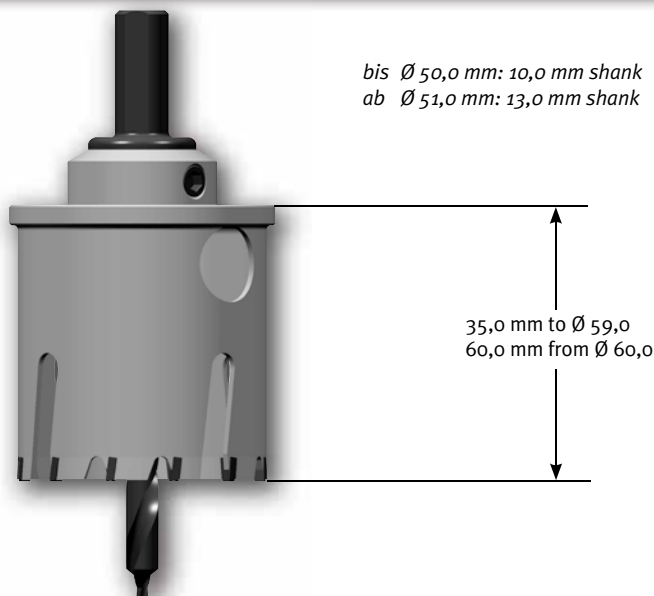
Cutting depth 60 mm (2 3/8")

- Specially designed for wood, plain, laminated and coated chip board, plywood, paper-base laminate, PVC, glass fibre reinforced plastic, gas concrete, Ytong stone, plasterboard, hollow gauged brick/stones.
- No blocking due to optimal cutting geometry.
- Simple drill core removal based on new chip space design.
- In the event of a tooth breaking, it can easily be replaced and re-sharpened.
- Only use when rotating, switch off hammer action.
- Ideal for electricians, plumbers and heating engineers, carpenters and cabinet makers, stair construction and kitchen furniture fitter.



Perfect assembly of sockets in e.g. wood, gypsum plaster board,...

ALFRA TCT-HOLE SAWS – FRP Multi-Tooth



with arbor shank

- Cutting Depth 35,0/60,0 for sandwich-composite material, wood and chipboard coated with insulation and sheet metal (also stainless), e.g. counters and refrigerators.



Please indicate material and thickness.



ALFRA TCT-HOLE SAWS – FRP type

Made in Germany by ALFRA

Ø mm	Ø inch	TCT-Hole Saws FRP single drill bit, cutting depth 60 mm	Prod.-No.
25,0		Sanitary and heating pipes	0740025060
30,0		Sanitary and heating pipes	0740030060
35,0	1 3/8"	Sanitary and heating pipes Cavity wall branch box, halogen reflector lamp	0740035060
40,0	1 9/16"	Sanitary drain pipes	0740040060
45,0	1 3/4"	Water and heating pipes	0740045060
50,0	1 15/16"	with insulation	0740050060
55,0		Recessed light Ø 55 mm	0740055060
58,0		Recessed light Ø 58 mm	0740058060
60,0	2 3/8"	Recessed light Ø 60 mm	0740060060
63,0		Switch box Ø 60 mm	0740063060
65,0		Cavity wall box Ø 65 mm	0740065060
68,0		Cavity wall box Ø 68 mm	0740068060
70,0	2 3/4"	Cavity wall branch box Ø 70 mm	0740070060
74,0		Cavity wall branch box Ø 74 mm	0740074060
80,0		Junction boxes, cable gland covers, Recessed lights Ø 80 mm	0740080060
85,0		Recessed lights Ø 85 mm	0740085060
90,0	3 3/8"	Recessed lights Ø 90 mm	0740090060
105,0	4 1/8"	Discharge air pipes	0740105060

Ø mm	Ø inch	TCT-Hole Saws FRP Multi-tooth No series production. Delivery on request. with arbor, cutting depth 35/60 mm.	Prod.-No.
40,0	1 9/16"	Sanitary drain pipes	0750040040
45,0	1 3/4"	Water and heating pipes	0750045040
50,0	1 15/16"	with insulation	0750050040
55,0			0750055040
60,0	2 3/8"		0750060060
63,0		Switch boxes, Diameter 60 mm	0750063060
65,0			0750065060
68,0		socket drill	0750068060
70,0	2 3/4"		0750070060
74,0		Junction boxes, Diameter 70 + 74 mm	0750074060
75,0			0750075060
80,0		Junction boxes	0750080060
85,0			0750085060
90,0	3 9/16"		0750090060
95,0	3 3/4"		0750095060
100,0	3 15/16"		0750100060
105,0	4 1/8"	Discharge air pipes Intermediate sizes and other cutting depths on request	0750105060 0759



Rim countersink for Ø 68 mm 0741068000



Tool Holder wrench size 12 0742000001



Tool Holder SDS 0742000002



Spare center drill HSS 7.2 mm 0742000003

FRP Hole Saw Set Electrician

Content: 0743000001
 1 each of Ø 35/ 68/74
 1 Tool Holder wrench size 12
 1 HSS drill

FRP Hole Saw Set Lights

Content: 0743000002
 1 each of Ø 35/ 60/ 68/80/ 85
 1 Tool Holder wrench size 12
 1 HSS drill

HSS spare drill for FRP Multi-tooth

Ø 30,0 - 59,0 mm = 8 x 80 0752880
 Ø 61,0 - 105,0 mm = 8 x 100 0752800



Prod.-No. 0743000001



Prod.-No. 0743000002