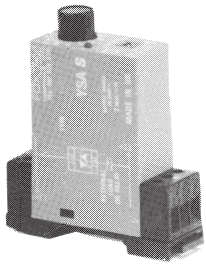


# STATIC ELECTRONIC TIMER DELAY ON MAKE

YSA for DIN rail and panel mounting  
11SA for 11 pin plug-in mounting  
8SA for 8 pin plug-in mounting



YSA

- Connects in series with the load
- Operates on any supply from 20 to 260 V
- Operates on AC or DC
- Three versions each with multiple time ranges
  - Range S from 0.06 to 160 sec
  - Range M from 0.5 sec to 21 min
  - Range L from 15 sec to 640 min
- LED operation indicator

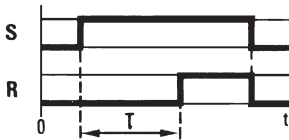


11SA/8SA

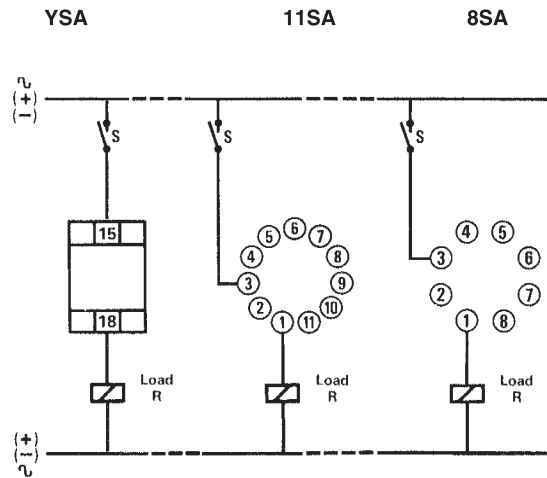
## MODE OF OPERATION

### Function A

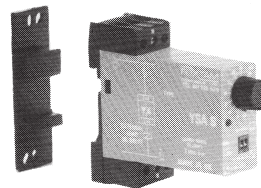
Timing commences with the closure of S (Supply On). At the end of timing the load R is energised.



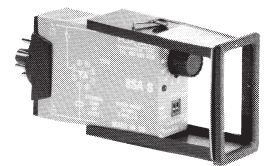
## CONNECTIONS:



— Supply range:  
20 to 260 Vac or dc



Surface Mounting



Through Panel Mounting  
with Accessory 8/11

## SPECIFICATION

Operation on AC and DC supplies

(not polarity conscious) .....from 20 to 260 V

Output rating (static output):

I max .....0.7 A continuous (20°C)

I min .....5 mA

Temperature rise derating.....5 mA/°C

Timing range:

S.....0.06 to 160 sec

M.....0.5 sec to 21 min

L.....15 sec to 640 min

Sub-range selection is by switches on the front of the case.

Repeat accuracy at constant ambient.....±0.5%

Repeat accuracy within temperature

specification of VDE 0435 .....±3%

Reset time: After timing.....25 ms

During timing.....100 ms

Leakage current during timing

(may cause buzzing above 200 V).....5 mA max

Peak current.....20 A < 10 ms

Transient protection .....1400 V for 100 µs

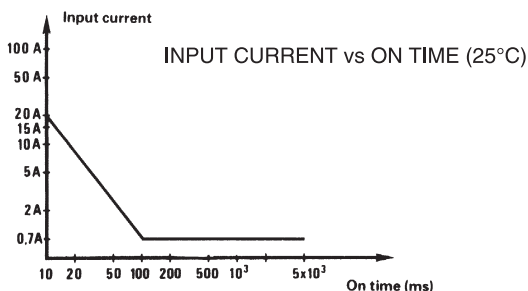
Voltage drop after timing.....3.5 V

Operating and storage temperature .....-25 to +60°C

Connection.....screw terminals or plug in

Weight.....60 g

Dimensions .....see page 5



## ORDERING INFORMATION:

YSA S

### Type and function of timer

— DIN-rail or panel mounting YSA

— 11 pin plug-in 11SA

— 8 pin plug-in 8SA

### Supply

— from 20 to 260 Vac or dc

### Timing range (in 4 selectable sub-ranges):

S (0.06 to 160 sec)

● 0.06 to 0.6 sec

● 0.25 to 2.5 sec

● 2 to 20 sec

● 16 to 160 sec

M (0.5 sec to 21 min)

● 0.5 to 5 sec

● 2 to 20 sec

● 16 to 160 sec

● 2 to 21 min

L (15 sec to 640 min)

● 15 to 150 sec

● 1 to 10 min

● 8 to 80 min

● 64 to 640 min