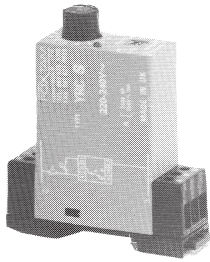


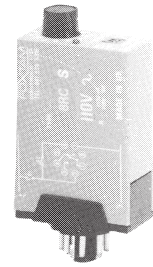
ELECTRONIC TIMING RELAY DELAY ON BREAK

YRC for DIN rail and panel mounting
11RC for 11 pin plug-in mounting
8RC for 8 pin plug-in mounting



YRC

- Delay on break
- Two versions each with multiple time ranges
 - Range S from 0.06 to 160 sec
 - Range L from 15 sec to 640 min
- Selection of time range by switches
- 10 ampere rated single pole changeover contacts
- Only 24 mm wide case
- LED operation indicator



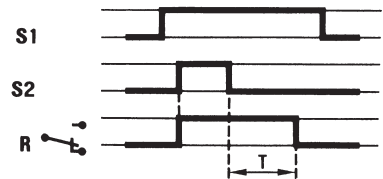
11RC/8RC

MODE OF OPERATION:

Function C

The timer needs a permanent supply. When the command contact S2 is closed the relay energises. The relay remains energised until the set time has elapsed after the command S2 is opened (de-energised).

If S2 is reclosed during timing the relay will remain energised.



SPECIFICATION

Supply tolerance.....	0.85 to 1.15 Un
Frequency	50-60 Hz
Power consumption	7 VA at 220 Vac
	0.6 W at 24 Vdc
Output.....	single pole changeover
Contact material	AgNi
Maximum loading	10 Aac or 1 Adc
Maximum Switching Voltage	250 Vac or 250 Vdc
Relay maximum power rating.....	2200 VA or 30 W
Maximum permissible peak current....	15 A
Mechanical life of relay	30 × 10 ⁶ operations
Electrical life of relay	2 × 10 ⁶ operations at
	10 A 220 Vac resistive load
Repeat accuracy at a constant ambient.....	±0.5%
Repeat accuracy within temperature specification of VDE 0435	±3%
Reset time during timing.....	50 ms
Minimum contact closure time	20 ms
Operating and storage temperature ...	-20 to +60°C
Connection	screw terminals or plug-in
Weight	100 g
Dimensions.....	see page 5

Note: The command contact should be isolated from other circuits. The contact will operate on the same supply as the timer and will have a maximum load of 5mA

Timing range:

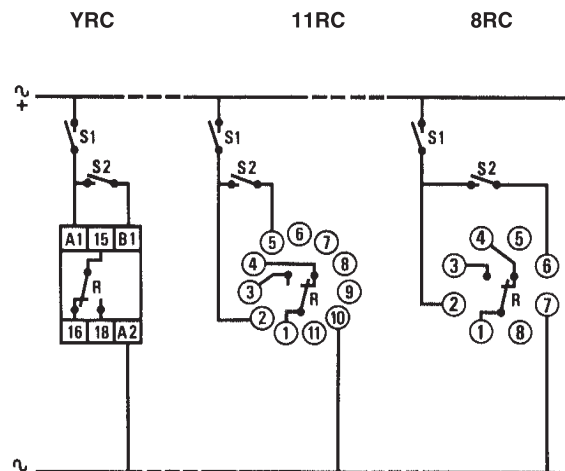
Range S —	
(in 4 selectable sub-ranges)	0.06 to 160 sec
Range L —	
(in 4 selectable sub-ranges)	15 sec to 640 min

Sub-range selection is by switches on the front of the case.

Optional version with single time ranges like YRA.F (page 10) – specify YRC.F. Specification otherwise identical, but lower price – for quantity orders only.

2 POLE VERSION – 11RC is also available as 2 pole – see page 25

CONNECTIONS:



ORDERING INFORMATION:

Type and function of timer

- DIN-rail or panel mounting YRC
- 11 pin plug-in 11RC
- 8 pin plug-in 8RC

Timing range (in 4 selectable sub-ranges):

- | | |
|--------------------------------|------------------------------|
| S (0.06 sec to 160 sec) | L (15 sec to 640 min) |
| ● 0.06 to 0.6 sec | ● 15 to 150 sec |
| ● 0.25 to 2.5 sec | ● 1 to 10 min |
| ● 2 to 20 sec | ● 8 to 80 min |
| ● 16 to 160 sec | ● 64 to 640 min |

Supply: 230 V~, 110 V~ (50/60 Hz)
48 V~, 24 V=
12 V=

8RC S 24