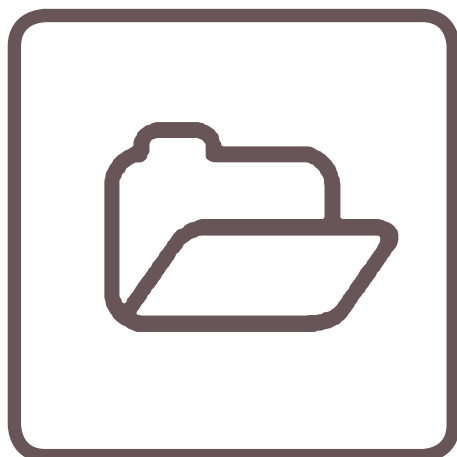


Miscellaneous





Miscellaneous, overview: Accessories

Accessories / options / special solutions	Page 182 – Page 188
---	---------------------

Technical annex / type comparison old / new

Type comparison old / new	Page 189
Sensor characteristics	Page 190 – Page 191
Technical terms	Page 192 – Page 193
Useful hints for electrical and heating device fitters	Page 194

Table of contents

Table of contents ordered by product names	Page 195 – Page 197
Table of contents ordered by type designation codes	Page 198 – Page 200

General / Contact / Adresses

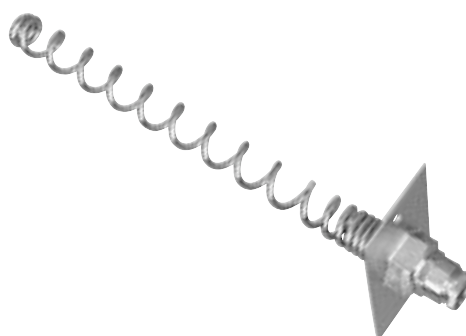
Certificate	Page 201
General terms of delivery	Page 202
Safety regulations	Page 202
Information on technical data	Page 202
Addresses and contacts	Page 203

Dip sleeve/protective spiral for KR/LR 80/85 and for sleeve- and air sensors

For applications in the industrial and heating technology field

THK/NTHK

SW-200/SW-200-12



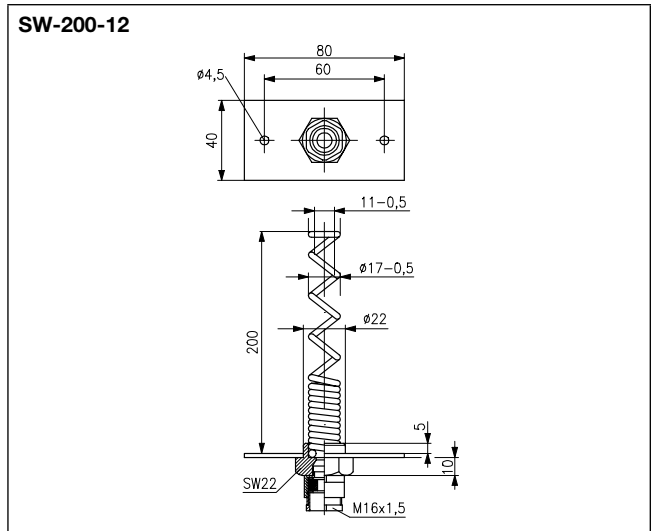
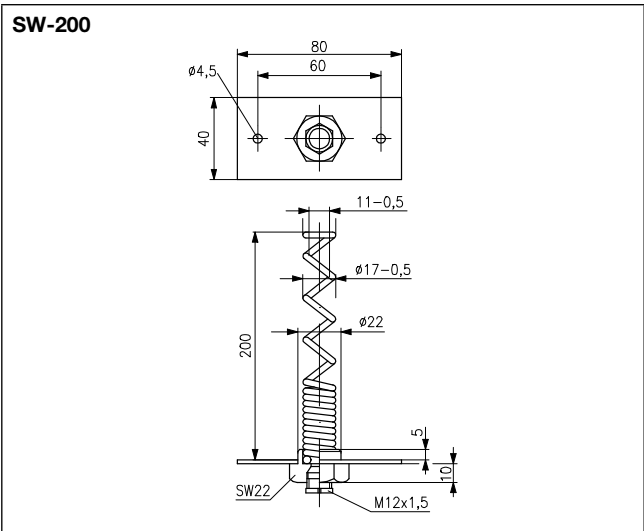
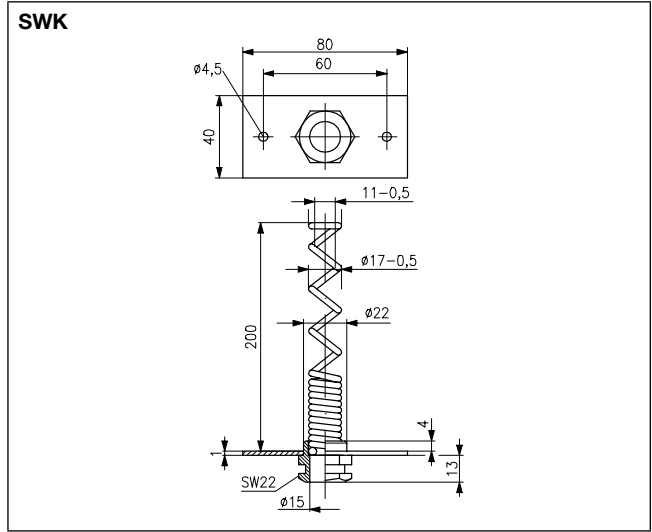
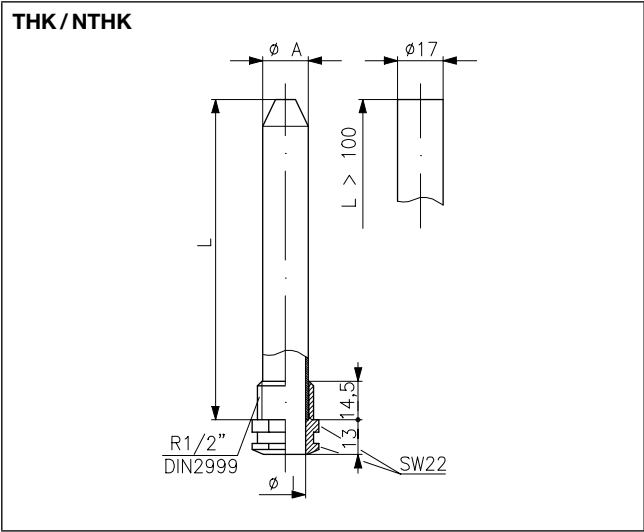
Type	Item No.	Length L	Diameter I x A	Material	max. pressure (P/bar)	PG
Dip sleeves for KR 80/85						
THK-100	C 1809043	100 mm	8 x 10 mm	Nickel-plated brass	20	K
THK-120	C 1809031	120 mm	8 x 10 mm	Nickel-plated brass	20	K
THK-200	C 1809070	200 mm	8 x 10 mm	Nickel-plated brass	20	K
THK-280	C 1809106	280 mm	8 x 10 mm	Nickel-plated brass	20	K
THK-600	C 1809132	600 mm	8 x 10 mm	Nickel-plated brass	20	K
NTHK-100	C 1809056	100 mm	8 x 10 mm	V4 A (1.4571)	40	K
NTHK-120	C 1809005	120 mm	8 x 10 mm	V4 A (1.4571)	40	K
NTHK-200	C 1809082	200 mm	8 x 10 mm	V4 A (1.4571)	40	K
NTHK-280	C 1809118	280 mm	8 x 10 mm	V4 A (1.4571)	40	K
THK-100 x 17	C 1809157	100 mm	15 x 17 mm	Nickel-plated brass	20	K
THK-200 x 17	C 1809183	200 mm	15 x 17 mm	Nickel-plated brass	20	K
NTHK-100 x 17	C 1809169	100 mm	15 x 17 mm	V4 A (1.4571)	40	K
NTHK-200 x 17	C 1809195	200 mm	15 x 17 mm	V4 A (1.4571)	40	K

Type	Item No.	Length L	Diameter I x A	Material	PG
Protective spiral for LR 80 ...					
SWK 100	C 1809200	100 mm	11 x 17 mm	Nickel-plated steel	K
SWK 120	C 1809207	120 mm	11 x 17 mm	Nickel-plated steel	K
SWK 200	C 1809498	200 mm	11 x 17 mm	Nickel-plated steel	K
SWK 280	C 1809221	280 mm	11 x 17 mm	Nickel-plated steel	K

Type	Item No.	Length L	Ø screwed connection	Ø Spiral	Material	PG
Protective spiral for the fixing of capillaries in air ducts (JET/JMT/JTF/WR 81) and for the installation of all HF sleeve- and LF air sensors						
SW-200	C 1809219	200 mm	8 mm	11 x 17 mm	Nickel-plated steel	K
SW-200-12	C 1809220	200 mm	12 mm	11 x 17 mm	Nickel-plated steel	K

Dip sleeves and protective spiral for KR/LR 80/85 and sleeve- and air sensors

For applications in the industrial and heating technology field



Dip sleeves for capillary- and frost protection thermostats and for HF sleeve sensors/for the installation into the floor pavement

for JET/JMT/WR 81 and Ø 7 mm HF sleeve sensors and for JTF (use type TH/NTH-140 with JTF only) for HF Ø 8 mm sleeve sensor for the installation into the floor pavement

For applications in the industrial and heating technology field

TH/NTH

THF



Type	Item No.	Length L	Diameter I x A	Material	max. pressure (P/bar)	PG
------	----------	----------	----------------	----------	-----------------------	----

For Ø 7 mm HF sleeve sensors and capillary and frost protection thermostats JET/JMT/WR 81 and JTF (use type TH/NTH-140 with JTF only)

TH-55	C 1809296	55 mm	8 x 10 mm	Nickel-plated brass	20	K
TH-100	C 1809310	100 mm	8 x 10 mm	Nickel-plated brass	20	K
TH-140*	C 1809409	140 mm	10 x 12 mm	Nickel-plated brass	20	K
TH-200	C 1809438	200 mm	8 x 10 mm	Nickel-plated brass	20	K
TH-280	C 1809440	280 mm	8 x 10 mm	Nickel-plated brass	20	K
NTH-100	C 1809308	100 mm	8 x 10 mm	V4 A (1.4571)	40	K
NTH-140*	C 1809435	140 mm	10 x 12 mm	V4 A (1.4571)	40	K
NTH-200	C 1809439	200 mm	8 x 10 mm	V4 A (1.4571)	40	K
NTH-280	C 1809441	280 mm	8 x 10 mm	V4 A (1.4571)	40	K

* suited for all types with an X in the type designation code, e.g. JET-1... X or JMT 202 X

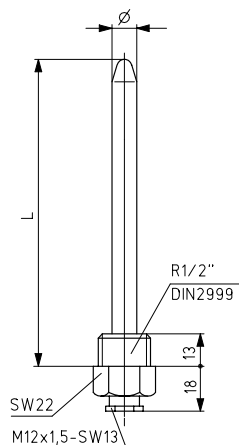
Protective copper sleeve for sleeve sensor HF (Ø 7.7 up to 8.9 mm) for the installation into the pavement

THF

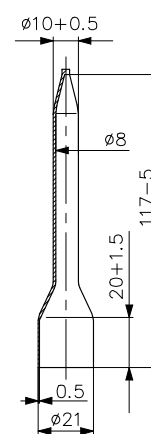
C 1809515

K

TH/NTH



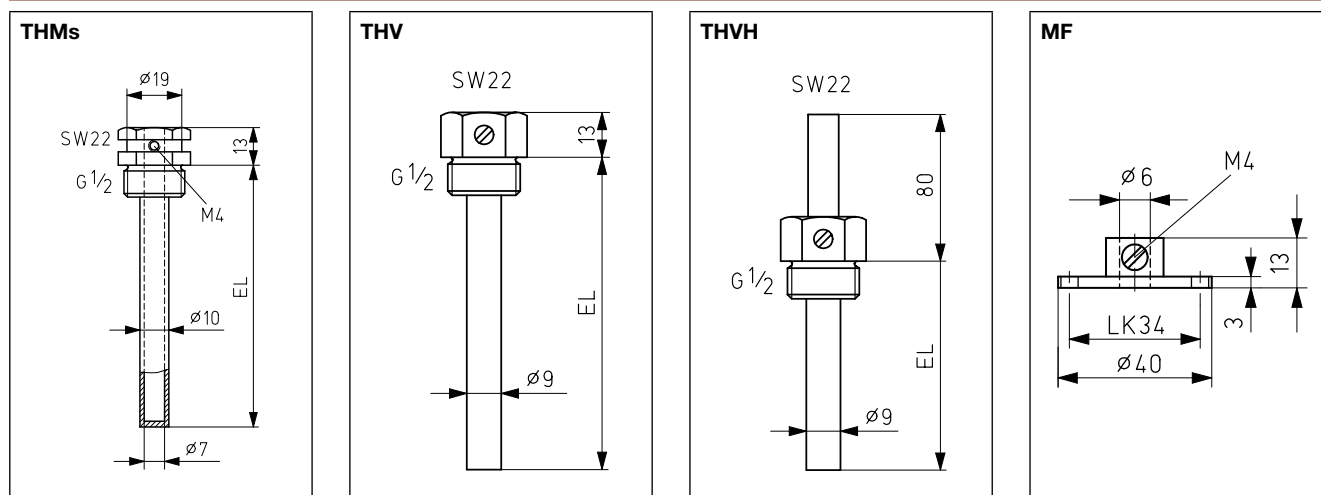
THF



Dip sleeves and installation flange for HF/EKF/IKF and MWF

for Ø 6 mm sleeve sensors (PVC and silicone) and built-in duct-, industrial duct- and average value sensors

Sensor equipment

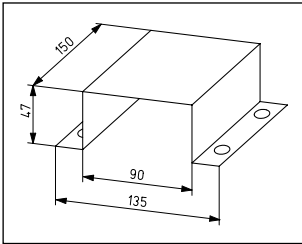


Type	Item No.	Installation length	Diameter l x A	max. pressure (P/bar)	PG
Dip sleeves of nickel-plated brass with insertion, also suitable for use with empty enclosures of the KR series					
THMs/50	G 9990010	50 mm	7 x 10 mm	20	S
THMs/100	G 9990020	100 mm	7 x 10 mm	20	S
THMs/150	G 9990030	150 mm	7 x 10 mm	20	S
THMs/200	G 9990040	200 mm	7 x 10 mm	20	S
THMs/250	G 9990050	250 mm	7 x 10 mm	20	S
Stainless steel dip sleeves (V4 A 1.4571)					
THV/50	G 9990060	50 mm	6.3 x 9 mm	40	S
THV/100	G 9990070	100 mm	6.3 x 9 mm	40	S
THV/150	G 9990080	150 mm	6.3 x 9 mm	40	S
THV/200	G 9990090	200 mm	6.3 x 9 mm	40	S
THV/250	G 9990100	250 mm	6.3 x 9 mm	40	S
THV/300	G 9990200	300 mm	6.3 x 9 mm	40	S
Other lengths possible in steps of 50 mm. (max. length: 1,000 mm)					S
Stainless steel dip sleeves (V4 A 1.4571) with 80 mm neck pipe					
THVH/50	G 9990110	50 mm	6.3 x 9 mm	40	S
THVH/100	G 9990120	100 mm	6.3 x 9 mm	40	S
THVH/150	G 9990130	150 mm	6.3 x 9 mm	40	S
THVH/200	G 9990140	200 mm	6.3 x 9 mm	40	S
THVH/250	G 9990150	250 mm	6.3 x 9 mm	40	S
Other lengths possible in steps of 50 mm (max. length 1,000 mm)					S
Aluminium installation flange					
MF	G 9990160		40 x 6 mm		S

**Accessories for heating technology and sensor applications/
special painting/imprinting**

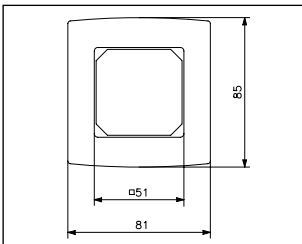
Type	Item No.	Dimensions	PG
Protector 01 (ball-/sun-/rain protection), stainless steel V4A 1.4571			

Protector 01 G 9990170 150 x 90 x 47 mm S



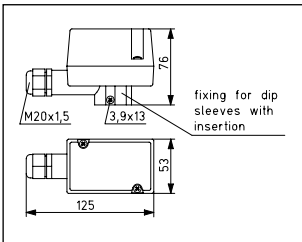
Cover frame			
Frame	UN 990002	81 x 85 mm for cover 50 x 50 mm neutral pure white, similar to RAL 9010	S

Frame UN 990002 81 x 85 mm for cover 50 x 50 mm neutral pure white, similar to RAL 9010 S



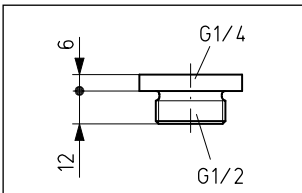
Empty enclosure with 2-pole terminal			
KR 80.1	C 1801645		S

KR 80.1 C 1801645 S



Adapter G1/2" for pressure measuring transducer MUD			
MUD-A 1/2	G 9990190	Adaptation from 1/4 to 1/2 Inch	S

MUD-A 1/2 G 9990190 Adaptation from 1/4 to 1/2 Inch S



Special painting

Minimum ordering volume: 100 pieces

Special printing

One-time printing cliché costs

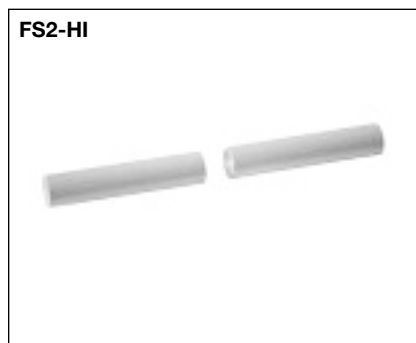
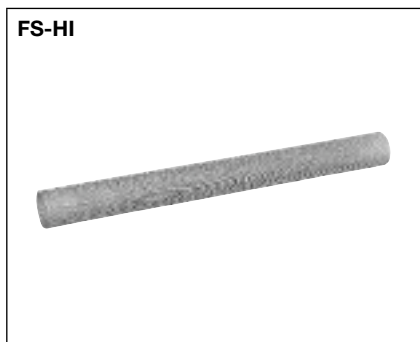
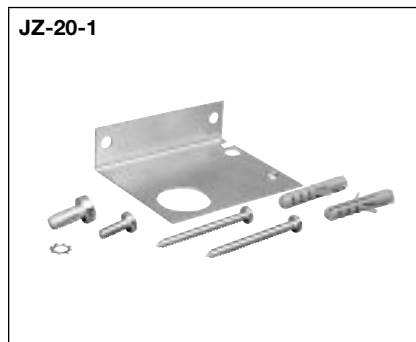
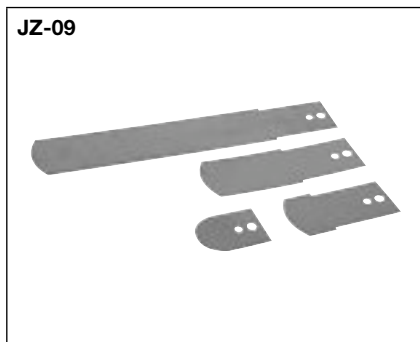
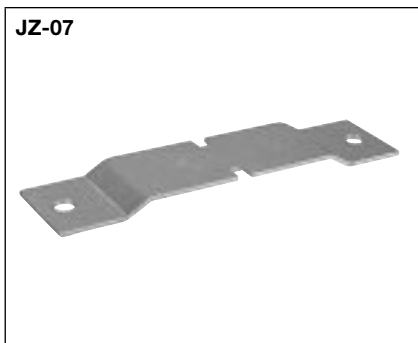
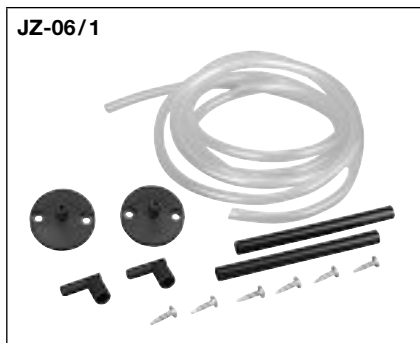
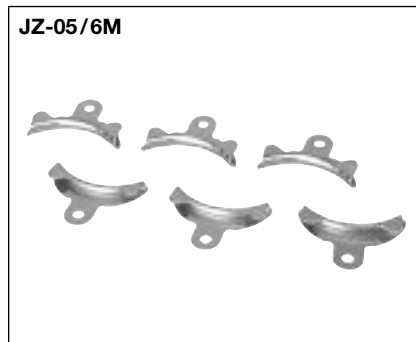
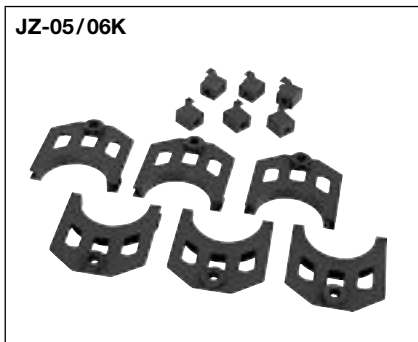
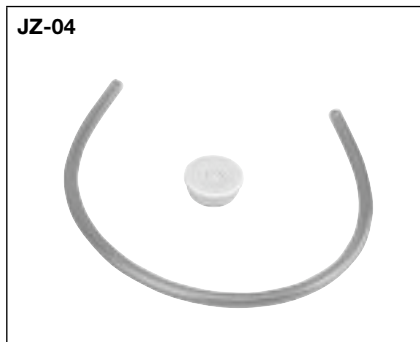
As of 20 pieces

As of 50 pieces



As of 100 pieces

As of 500 pieces

Accessories for industrial and sensor applications in the heating and climate technology field



Accessories for heating technology/ air conditioning technology/ industrial technology and sensors

Type	Item No.	Description	PG
JZ-04	E 6160133	Capillary tube feedthrough for air duct installation purposes including 30 cm protective hose (for use with frost protection thermostats JTF and capillary controllers JMT, WR, JET)	K
JZ-05/06 K	C 1809536	1 set of installation clips for frost protection thermostat JTF (6 pieces) made of plastic (max. 145°C)	K
JZ-05/6 M	C 1809474	1 set of installation clips for frost protection thermostat JTF (6 pieces) made of metal	K
JZ-06/1	H 5309229	Set with plastic duct connections (angle, 2 x 90°, 2 extensions (90 mm), 4 self-tapping screws, 2 m hose (outside diameter 6 mm) for differential pressure switches JDW and JDL and pressure measuring transducer DF	K
JZ-07	E 6160145	Installation bracket for frost protection thermostat JTF	K
JZ-08	E 6150031	Spare tag for air flow sensing relay JSL	K
JZ-09	E 6140170	Spare paddle (4 pieces) for flow monitor JSF (sizes form 1" ... 8")	K
JZ-10	H 5309237	Installation bracket for JDL 109/-113 and JDW-3/-5/-10 incl. 6 screws	K
JZ-14	JA 990001	Sealing set for frost protection thermostats JTF-1 ... -25	K
JZ-17	MN 990001	Adapter plate for Berlin 3000 design housing (hardwired)	K
JZ-18	MN 990002	Snap-on adapter plate for Berlin 3000 design housing (radio controller can be removed)	K
JZ-20-1	E 6130144	Wall bracket for duct hygrostat HI, for duct measuring transducers TF, FF, FTF, FS-K3 and air flow monitor JSL-20 K	K
JZ-24	BN 990002	Magnetic fixing set for quick and safe fixing of the multi-channel receivers or wiring strips	K
JZ-25	BN 990003 	Additional antenna can be plugged into cover of multi-channel receiver, wall mounting, 'Berlin 1000 superflat' housing, available from Q4 2009	K
FS-HI	H 530975	Sensor protection (protective wire mesh) for duct hygrostat HI	K
FS2-HI	H 531011 	PTFE filter, high protection for duct hygrostat HI	K
PAP 01-14	A 201201	Adapter plate for Pikolo design housing (PTR 01, PETA, PETR, PHY, PTF, RF)	K
WP-01	G 9990180	Heat conduction paste (2 ml)	K
ATRS-1	C 1809518	Temperature fixing set ATR 83.0...	K
JTF-H	G 8000406	Heating resistor for frost protection thermostats	K