

# One-stage capillary thermostat JET-1



## Technical data

<b>Switching capacity:</b>	15 (8) A, 24–250 V~, min. 150 mA at 24 V~
<b>Contact:</b>	1 microswitch as potential-free changeover contact
<b>Ambient temperature:</b>	-20... +55 °C
<b>Degree of protection:</b>	IP 65
<b>Protection class:</b>	I
<b>Sensor:</b>	bulb made of Cu and capillary tube of V2A
<b>Length of capillary:</b>	1.8 m
<b>Max. sensor temperature:</b>	end-scale value + 15 %
<b>Colour:</b>	grey (bottom part RAL 7016, upper part RAL 7035)

## Application

Supervision or control of temperatures in non-aggressive, liquid or gasiform media. Specially suited for wall mounting. The protective spiral SW-200-12 is determined for use with all temperature control tasks within non-aggressive types of gas that flow in conduits, while the dip sleeve TH is determined for all control tasks within non-aggressive fluids. The application of the dip sleeve type NTH is required when using the device for the control of temperatures in aggressive fluids.

**Dip sleeves or protective spiral are not included in the scope of the delivery!**

Type	Item No.	Control range	Switching difference adjustable	Sensor dimensions a x l	PG
JET-110X	JA 040100	-35...+30 °C	2...20 K (TR)	9.6x122 mm	B
JET-110XF	JA 040200	-35...+30 °C	2...20 K (TW)	9.6x122 mm	B
JET-110XFG	JA 040201	-35...+30 °C	2...20 K (TW)	9.6x122 mm	B
JET-112X	JA 040300	-35...+30 °C	TB*	9.6 x122 mm	B
JET-112XF	JA 040400	-35...+30 °C	TB*	9.6x122 mm	B
JET-120X	JA 041100	0...60 °C	2...20 K (TR)	9.6x122 mm	B
JET-120XG	JA 041101	0...60 °C	2...20 K (TR)	9.6 x122 mm	B
JET-120XF	JA 041200	0...60 °C	2...20 K (TW)	9.6x122 mm	B
JET-130X	JA 042100	40...100 °C	2...20 K (TR)	9.6x122 mm	B
JET-130XG	JA 042101	40...100 °C	2...20 K (TR)	9.6x122 mm	B
JET-130XF	JA 042200	40...100 °C	2...20 K (TW)	9.6x122 mm	B
JET-133XF	JA 042400	40...100 °C	TB**	9.6x122 mm	B
JET-140X	JA 043100	70...130 °C	2...20 K (TR)	9.6x122 mm	B
JET-140XF	JA 043200	70...130 °C	2...20 K (TW)	9.6x122 mm	B
JET-143XF	JA 043400	70...130 °C	TB**	9.6x122 mm	B
JET-150	JA 044100	100...280 °C	8...50 K (TR)	6x80 mm	B
JET-150F	JA 044200	100...280 °C	8...50 K (TW)	6x80 mm	B
JET-153	JA 044300	100...280 °C	TB**	6x80 mm	B
JET-153F	JA 044400	100...280 °C	TB**	6x80 mm	B
<b>Option:</b> screwed cable gland M 20 x 1.5 (Standard M 16 x 1.5)					B

F = Internal setting  
 G = Device with 4.5 m long capillary  
 X = Types for TH/NTH-140

TR = Temperature controller  
 TW = Temperature monitor  
 TB = Temperature limiter

\* Locks at falling temperatures  
 Manual reset after a temperature increase of min. 8 K

\*\* Locks at rising temperatures  
 Manual reset after a temperature decrease of min. 8 K

## Accessories

Protective spiral and dip sleeves (for further details see pages 182–183)

**Dip sleeves are not included in the scope of the delivery!**

For all types with an "X" in the type designation code: TH/NTH-140

For all types without an "X" in the type designation code: TH/NTH-100/200/280

**One-stage capillary thermostat JET-1**

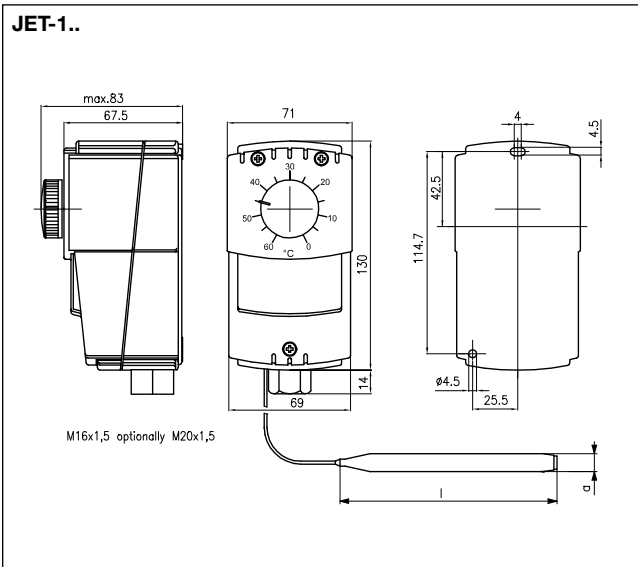
**JET-120 XF**



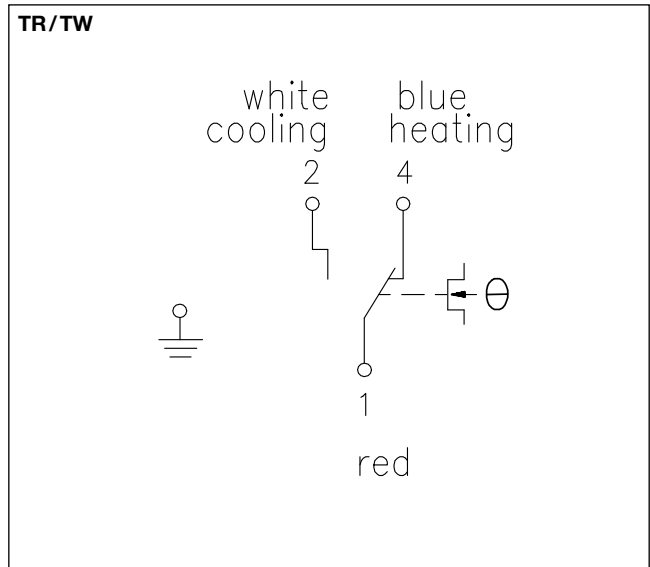
**JET-112 X**



**JET-1..**



**TR/TW**



**TB**

