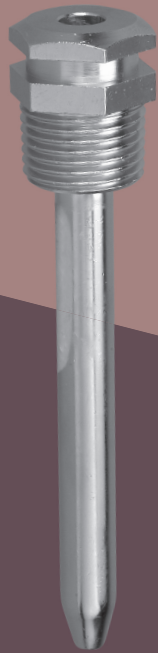
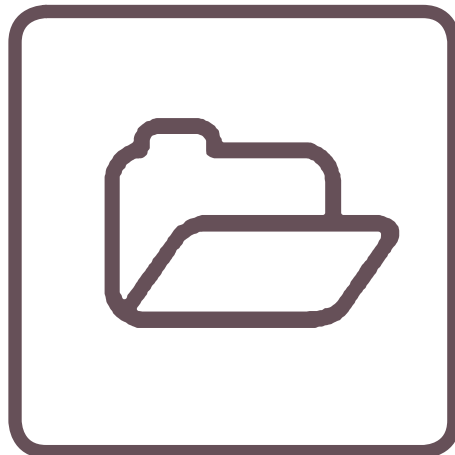


Miscellaneous





Miscellaneous, overview: Accessories

Accessories	Page 162 – Page 167
-------------	---------------------

Technical annex

Type comparison old/new	Page 168
Useful hints for electrical and heating device fitters	Page 169
Sensor characteristics	Page 170 – Page 171
Technical terms	Page 172 – Page 173

Table of contents

Table of contents ordered by product names	Page 174 – Page 176
Table of contents ordered by type designation codes	Page 177 – Page 179

General/Contact/Adresses

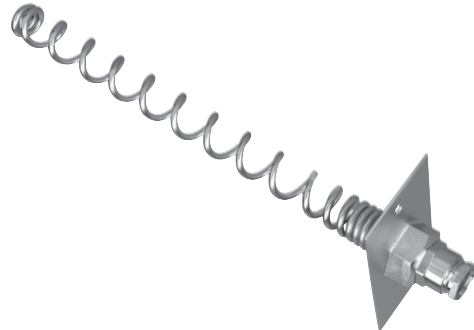
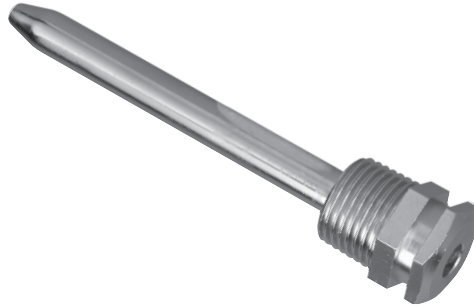
General terms of delivery	Page 180 – 182
Safety regulations	Page 182
Information on technical data	Page 182
Addresses and contacts	Page 183

Dip sleeve/protective spiral for KR/LR 80/85 and for sleeve- and air sensors

For applications in the industrial and heating technology field

THK/NTHK

SW-200/SW-200-12



Type	Item No.	Length L	Diameter I x A*	Material	max. pressure (P / bar)	PG
Dip sleeves for KR 80/85						
THK-100	C 1809043	100 mm	7.5 x 10 mm	Nickel-plated brass	20	II
THK-120	C 1809031	120 mm	7.5 x 10 mm	Nickel-plated brass	20	II
THK-200	C 1809070	200 mm	7.5 x 10 mm	Nickel-plated brass	20	II
THK-280	C 1809106	280 mm	7.5 x 10 mm	Nickel-plated brass	20	II
THK-600	C 1809132	600 mm	7.5 x 10 mm	Nickel-plated brass	20	II
NTHK-100	C 1809056	100 mm	7.5 x 10 mm	V4 A (1.4571)	40	II
NTHK-120	C 1809005	120 mm	7.5 x 10 mm	V4 A (1.4571)	40	II
NTHK-200	C 1809082	200 mm	7.5 x 10 mm	V4 A (1.4571)	40	II
NTHK-280	C 1809118	280 mm	7.5 x 10 mm	V4 A (1.4571)	40	II
THK-100 x 17	C 1809157	100 mm	14.8 x 17 mm	Nickel-plated brass	20	II
THK-200 x 17	C 1809183	200 mm	14.8 x 17 mm	Nickel-plated brass	20	II
NTHK-100 x 17	C 1809169	100 mm	14.8 x 17 mm	V4 A (1.4571)	40	II
NTHK-200 x 17	C 1809195	200 mm	14.8 x 17 mm	V4 A (1.4571)	40	II

Type	Item No.	Length L	Diameter I x A*	Material	PG
Protective spiral for LR 80/85					
SWK 100	C 1809200	100 mm	10.5 x 17 mm	Nickel-plated steel	II
SWK 120	C 1809207	120 mm	10.5 x 17 mm	Nickel-plated steel	II
SWK 200	C 1809498	200 mm	10.5 x 17 mm	Nickel-plated steel	II
SWK 280	C 1809221	280 mm	10.5 x 17 mm	Nickel-plated steel	II

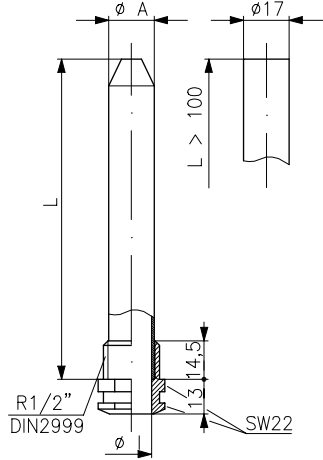
Type	Item No.	Length L	Ø screwed connection	Ø Spiral	Material	PG
Protective spiral for the fixing of capillaries in air ducts (JET/JMT/JTF/WR 81) and for the installation of all HF sleeve- and LF air sensors						
SW-200	C 1809219	200 mm	7.8 mm	11 x 17 mm	Nickel-plated steel	II
SW-200-12	C 1809220	200 mm	11.8 mm	11 x 17 mm	Nickel-plated steel	II

* I = minimum internal diameter
A = nominal external diameter

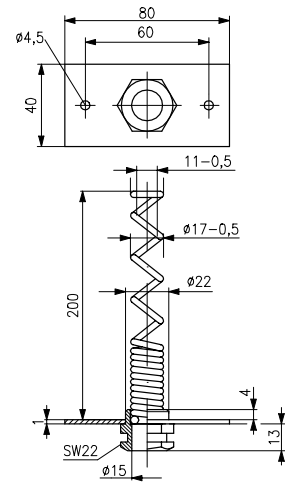
Dip sleeves and protective spiral for KR/LR 80/85 and sleeve- and air sensors

For applications in the industrial and heating technology field

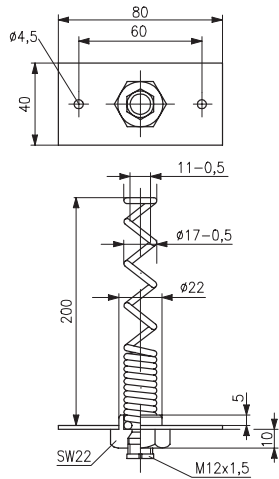
THK/NTHK



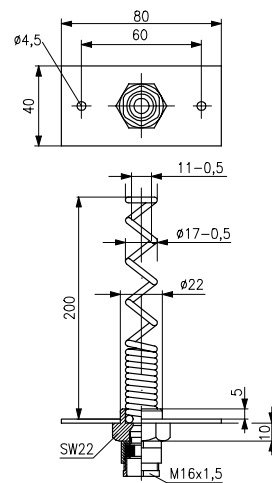
SWK



SW-200



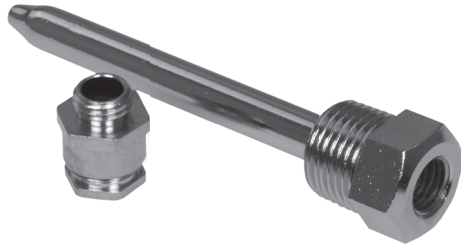
SW-200-12



Dip sleeves for capillary- and frost protection thermostats and for HF sleeve sensors/for the installation into the floor pavement

For applications in the industrial and heating technology field

TH/NTH



THF



Type	Item No.	Length L	Diameter I x A**	Material	max. pressure (P / bar)	PG
------	----------	----------	------------------	----------	-------------------------	----

For Ø 7 mm HF sleeve sensors and capillary and frost protection thermostats JET/JMT/WR 81 and JTF (use type TH/NTH - 140 with JTF only)

TH-55	C 1809296	55 mm	8 x 10 mm	Nickel-plated brass	20	II
TH-100	C 1809310	100 mm	8 x 10 mm	Nickel-plated brass	20	II
TH-140*	C 1809409	140 mm	10 x 12 mm	Nickel-plated brass	20	II
TH-200	C 1809438	200 mm	8 x 10 mm	Nickel-plated brass	20	II
TH-280	C 1809440	280 mm	8 x 10 mm	Nickel-plated brass	20	II
NTH-55	C 1809284	55 mm	8 x 10 mm	V4 A (1.4571)	40	II
NTH-100	C 1809308	100 mm	8 x 10 mm	V4 A (1.4571)	40	II
NTH-140*	C 1809435	140 mm	10 x 12 mm	V4 A (1.4571)	40	II
NTH-200	C 1809439	200 mm	8 x 10 mm	V4 A (1.4571)	40	II
NTH-280	C 1809441	280 mm	8 x 10 mm	V4 A (1.4571)	40	II

* suited for all types with an X in the type designation code, e.g. JET-1 ... X or JMT 202 X

** I = minimum internal diameter
A = nominal external diameter

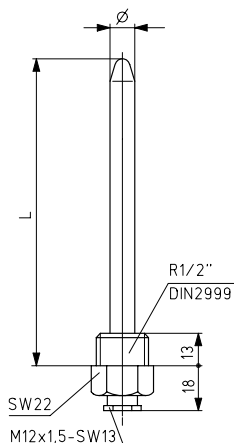
Protective copper sleeve for sleeve sensor HF Ø 7.7 for the installation into the pavement

THF

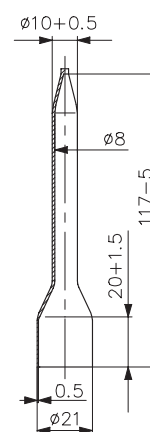
C 1809515

II

TH/NTH



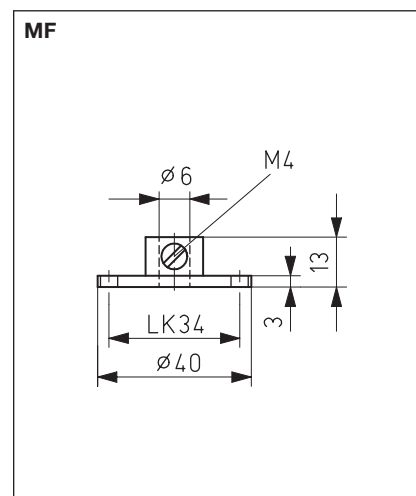
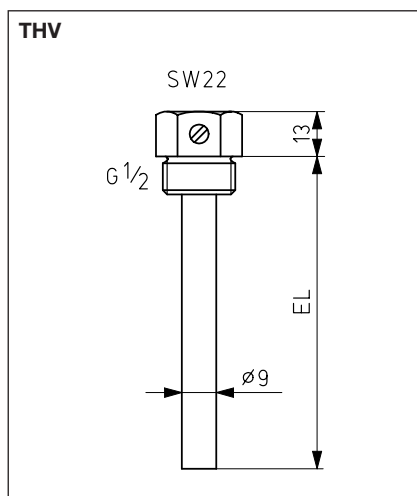
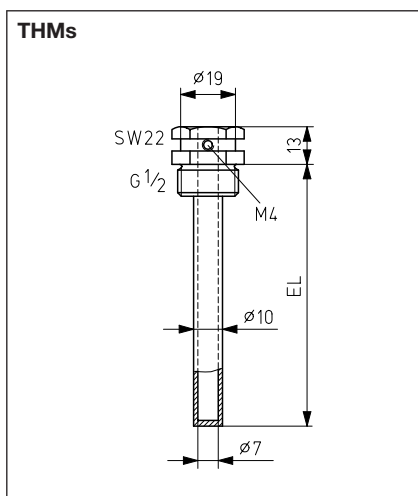
THF



Dip sleeves and installation flange for HF, EKF and IKF

for Ø 6 mm sleeve sensors (PVC and silicone) and built-in duct-, industrial duct- and average value sensors

Sensor equipment



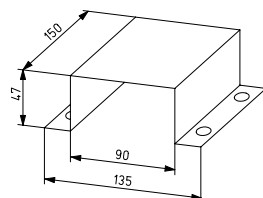
Type	Item No.	Installation length	Diameter I x A*	max. pressure (P / bar)	PG
Dip sleeves of nickel-plated brass with insertion					
THMs/50	G 9990010	50 mm	7 x 10 mm	20	II
THMs/100	G 9990020	100 mm	7 x 10 mm	20	II
THMs/150	G 9990030	150 mm	7 x 10 mm	20	II
THMs/200	G 9990040	200 mm	7 x 10 mm	20	II
THMs/250	G 9990050	250 mm	7 x 10 mm	20	II
THMs/300	G 9990370	300 mm	7 x 10 mm	20	II
Stainless steel dip sleeves (V4 A 1,4571)					
THV/50	G 9990060	50 mm	6.3 x 9 mm	40	II
THV/100	G 9990070	100 mm	6.3 x 9 mm	40	II
THV/150	G 9990080	150 mm	6.3 x 9 mm	40	II
THV/200	G 9990090	200 mm	6.3 x 9 mm	40	II
THV/250	G 9990100	250 mm	6.3 x 9 mm	40	II
THV/300	G 9990200	300 mm	6.3 x 9 mm	40	II
Aluminium installation flange					
MF	G 9990160		6 x 40 mm		II

* I = minimum internal diameter
A = nominal external diameter

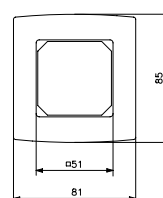
Accessories for heating technology/ air conditioning technology/ industrial technology and sensors

Type	Item No.	Description	PG
ATRS-1	C 1809518	Temperature fixing set ATR 83.0...	II
FS-HI	H 530975	Sensor protection (protective wire mesh) for duct hygrostat HI	II
FS2-HI	H 531011	PTFE filter, high protection for duct hygrostat HI	II
JZ-01 L	H 5309226	Individual duct connector, plastic (grey), Ø 6 mm external diameter for JDW, JDL differential pressure switch, pressure transducer	II
JZ-04	E 6160133	Capillary tube feedthrough for air duct installation purposes including 30 cm protective hose (for use with frost protection thermostats JTF and capillary controllers JMT, WR, JET)	II
JZ-05/6 K	C 1809536	1 set of installation clips for frost protection thermostat JTF (6 pieces) made of plastic (max. 145 °C)	II
JZ-05/6 M	C 1809474	1 set of installation clips for frost protection thermostat JTF (6 pieces) made of metal	II
JZ-05/1 M	C 1809462	Individual metal installation clip for JTF frost protection thermostat	II
JZ-06/1	H 5309229	Set with plastic duct connections (angle, 2 x 90°, 2 extensions (90 mm), 4 self-tapping screws, 2 m hose (outside diameter 6 mm) for differential pressure switches JDW and JDL and pressure measuring transducer DF	II
JZ-07	E 6160145	Installation bracket for frost protection thermostat JTF	II
JZ-08	E 6150031	Spare tag for air flow sensing relay JSL	II
JZ-09	E 6140170	Spare paddle (4 pieces) for flow monitor JSF (sizes form 1" ...8")	II
JZ-10	H 5309237	Installation bracket for JDL 109/- 113 and JDW -3/- 5/- 10 incl. 6 screws	II
JZ-13	ZA 990001	Standard rail with pre-drilled holes for fixing switch cabinet controllers (length: 40 mm)	II
JZ-14	JA 990001	Sealing set for frost protection thermostats JTF-1 ... -25	II
JZ-17	MN 990001	Adapter plate for Berlin 3000 design housing (hardwired)	II
JZ-18	MN 990002	Snap-on adapter plate for Berlin 3000 design housing (radio controller can be removed)	II
JZ-20-1	E 6130144	Wall mounting incl. fixings for duct hygrostat (HI), measuring transducers for ducts TF, FF, FTF, and air flow monitor JSL-20 K/21 K	II
JZ-24	BN 990002	Magnetic fixing set for quick and safe fixing of the multi-channel receivers or wiring strips	II
JZ-25	BN 990003	external antenna to improve reception of the multi channel receiver in difficult conditions, antenna cable (JZ-26) not included (See product photo on page 41)	II
JZ-26	BN 990004	1m antenna cable for connecting a JZ-25 external antenna to a multi channel receiver	II
JZ-27	G 9990450	3 ½ digit LCD for MDEKD	III
JZ-090.900	VV 000025	alre "Berlin" frame for all flush-mounted controllers with 50 x 50 cover, pure white, glossy, similar to RAL 9010	I
JZ-090.910	VV 000010	alre "Berlin" frame for all flush-mounted controllers with 50 x 50 cover, pearl white, glossy, similar to RAL 1013	I
JZ-DA	H 5309230	Cover cap with outdoor setting and seal for JDL-111, -112, -115, -116, and -117, replacement cap for JDL-11x A models	II
MUD-A ½"	G 9990190	G ¼" to G ½" adapter for MUD pressure measuring transducer	III
PAP 01-14	A 201201	Adapter plate for Pikolo design housing (PTR 01, PETA, PETR, PHY, PTF, RF)	II
S-Schutz 01	G9990170	Ball, sun and rain protection; 150 x 90 x 47 mm; stainless steel V4A 1.4571	III
WP-01	G 9990180	Heat conduction paste (2 ml)	II

S-Schutz 01



alre "Berlin" frame



**Accessories for heating technology/air conditioning technology/
industrial technology and sensors**

